

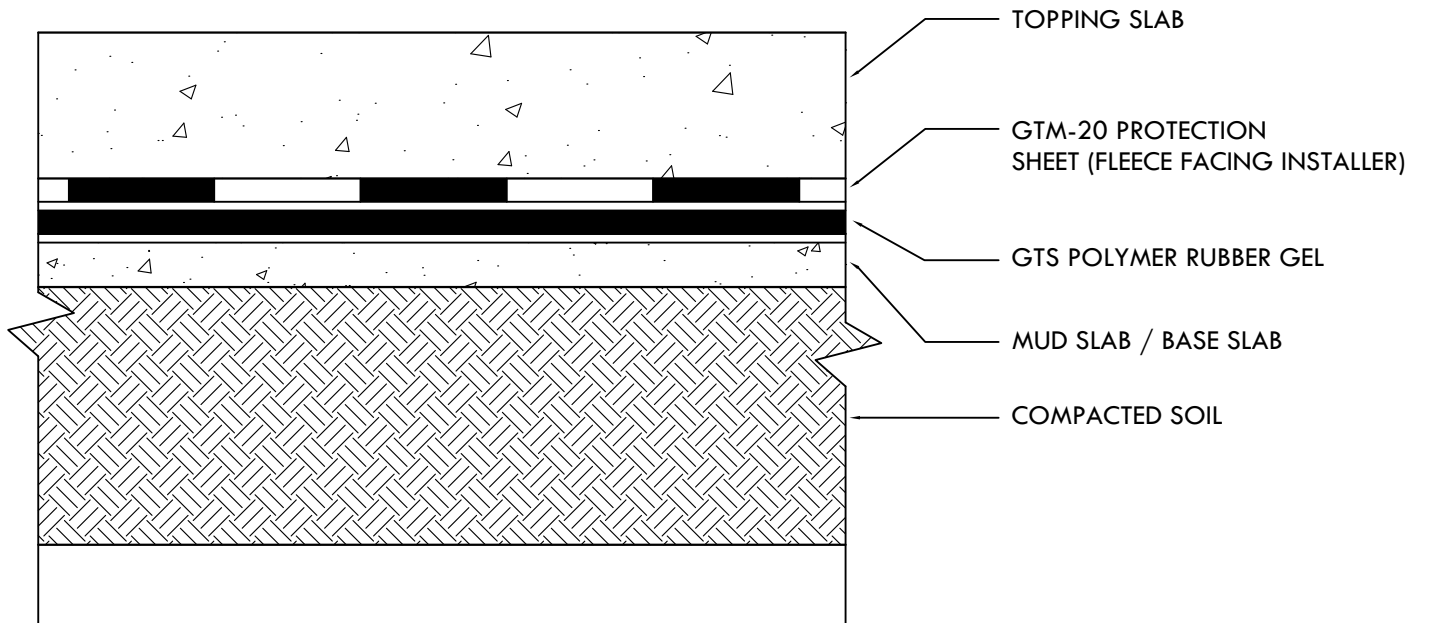
NOTE: ALL GTM PROTECTION SHEET SEAMS MUST BE TAPED.



1136 114th Lane NW
 #400 MINNEAPOLIS
 MN 55448
 OFFICE: 612.872.1900
 www.re-systemsgroup.com

TYPICAL SLAB ON GRADE
COMPACTED SOIL

DATE :	10.26.23
SCALE :	NTS
DRAWING NO. :	GTS-350-BG 01



NOTE: ALL GTM PROTECTION SHEET SEAMS MUST BE TAPED.



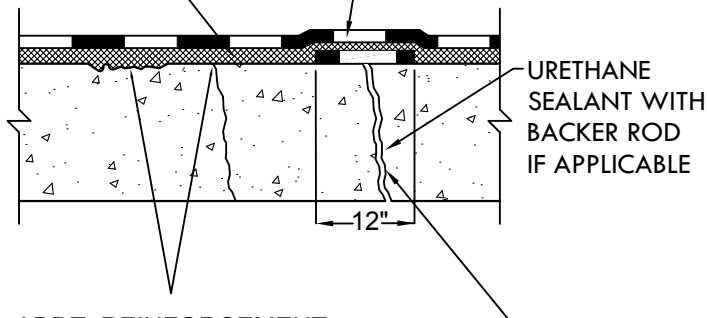
1136 114th Lane NW
 #400 MINNEAPOLIS
 MN 55448
 OFFICE: 612.872.1900
 www.re-systemsgroup.com

TYPICAL SPLIT SLAB ON GRADE
 OVER MUD/BASE SLAB

DATE :	10.26.23
SCALE :	NTS
DRAWING NO. :	GTS-350-BG 02

GTS POLYMER RUBBER GEL

GTM-20 PROTECTION SHEET (FLEECE FACING GTS)

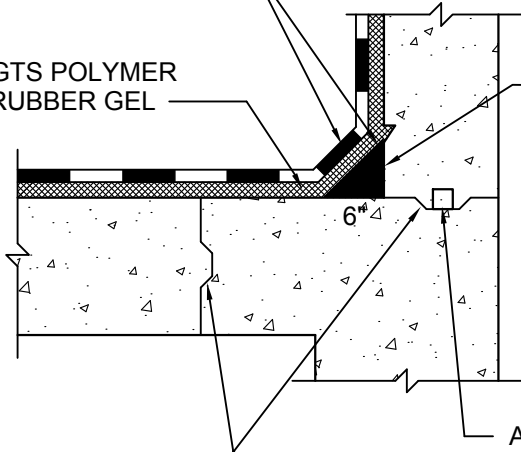


ADDT. REINFORCEMENT NOT REQUIRED AT ROUGH CONCRETE OR CRACKS UP TO 1/16"

STRUCTURAL CRACKS >1/16" & <1/4" IN WIDTH

GTM-20 PROTECTION SHEET (FLEECE FACING GTS)

GTS POLYMER RUBBER GEL



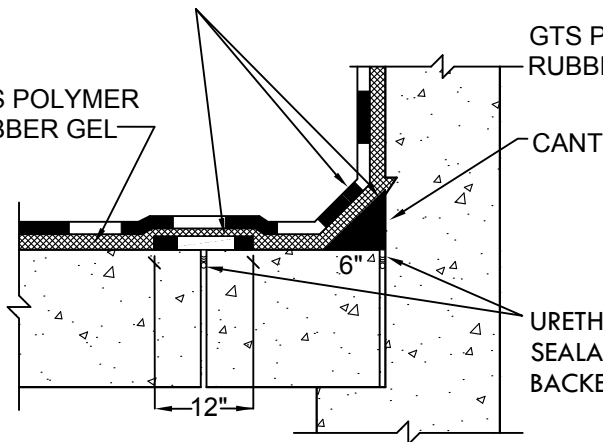
CONSTRUCTION JOINTS & AT ALL CHANGES- IN PLANE

CANT

APPROVED WATERSTOP BY OTHERS

GTM-20 PROTECTION SHEET (FLEECE FACING GTS)

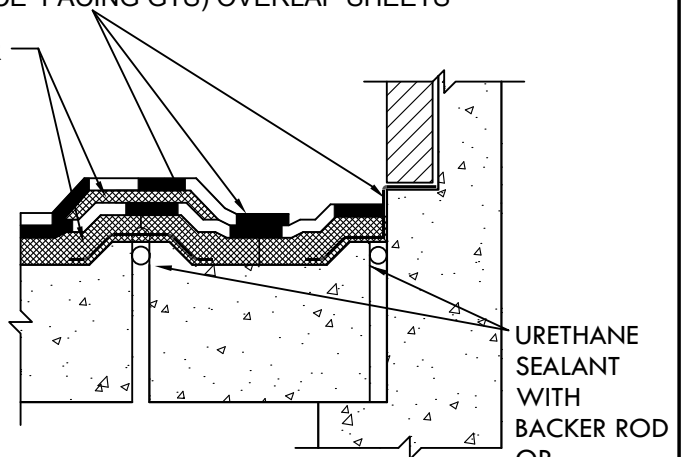
GTS POLYMER RUBBER GEL



EXPANSION JOINTS UP TO 1" IN WIDTH AND MAX. 50% TOTAL MOVEMENT ANTICIPATED

GTM-20 PROTECTION SHEET (FLEECE FACING GTS) OVERLAP SHEETS 12"

GTS POLYMER RUBBER GEL



EXPANSION JOINTS 1" TO 2" IN WIDTH AND MAX. 50% TOTAL MOVEMENT ANTICIPATED

URETHANE SEALANT WITH BACKER ROD OR EXPANSION JOINT SYSTEM (BY OTHERS)

NOTES: FOR EXPANSION JOINTS GREATER THAN 2", EXPANSION JOINTS ANTICIPATING GREATER THAN 50% TOTAL MOVEMENT AND FOR SEISMIC EXPANSION JOINTS, THE USE OF PRE-FABRICATED, PROPRIETARY JOINT SYSTEMS SHOULD BE CONSIDERED.

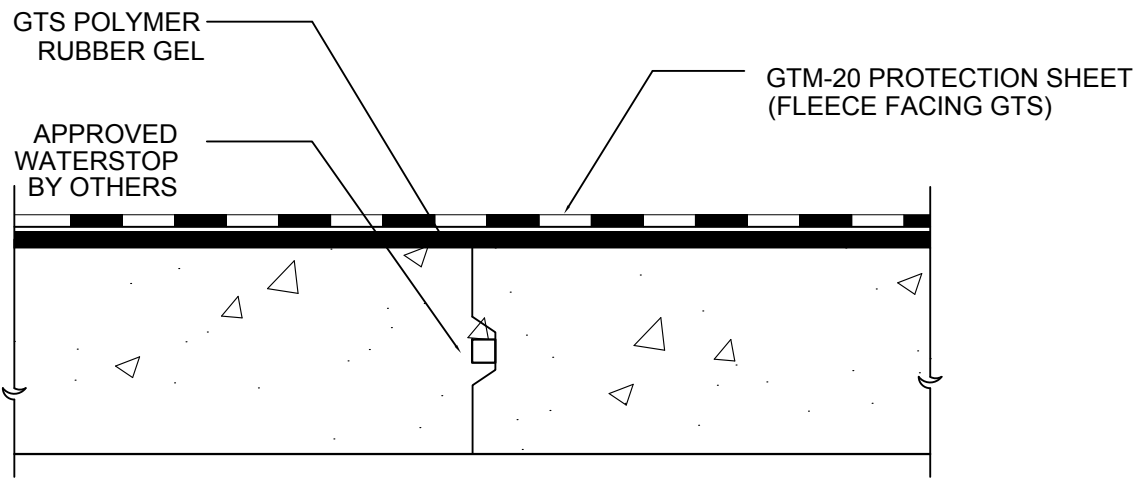
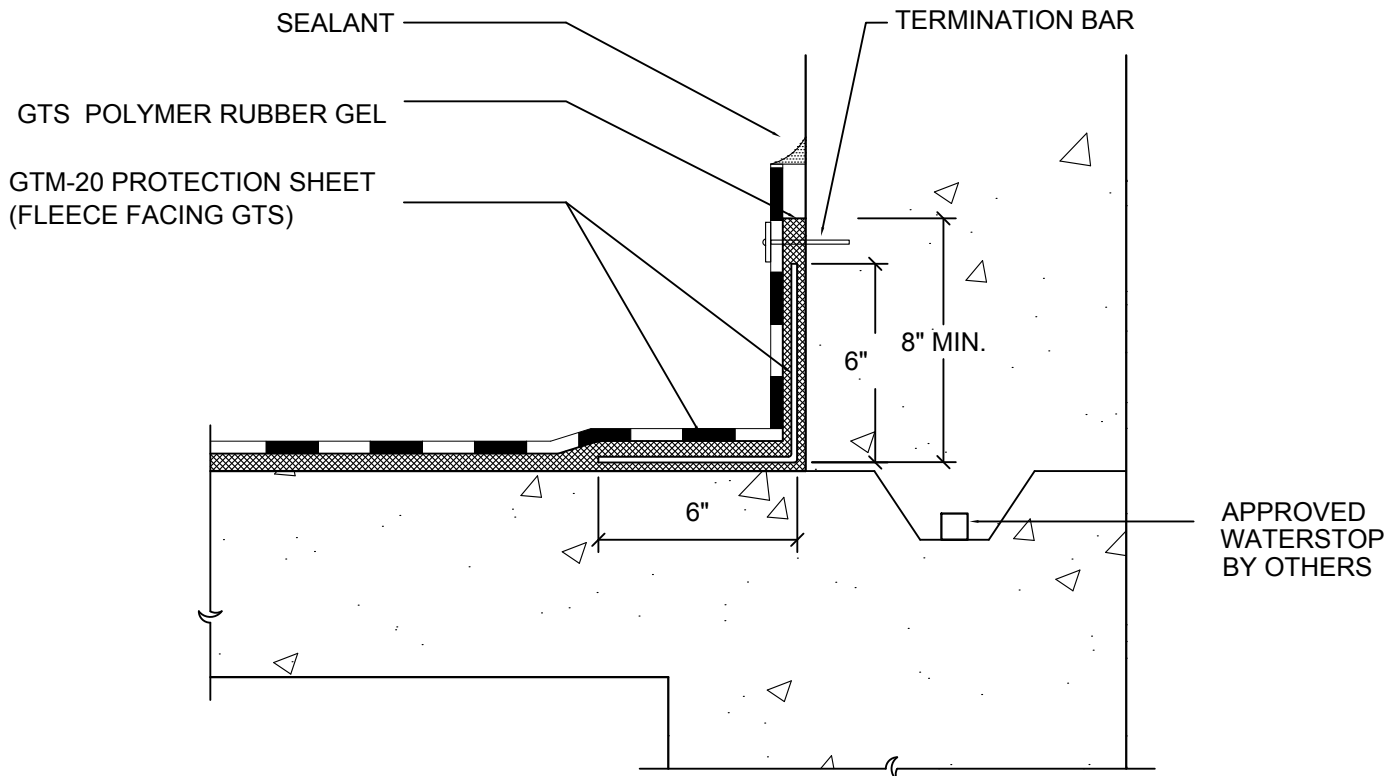
ALL GTM PROTECTION SHEET SEAMS MUST BE TAPED.



1136 114th Lane NW
#400 MINNEAPOLIS
MN 55448
OFFICE: 612.872.1900
www.re-systemsgroup.com

TYPICAL CRACKS AND JOINTS

DATE : 10.26.23
SCALE : NTS
DRAWING NO. : GTS-350-BG 03



NOTES: IN COVERED/BURIED CONDITIONS, GTS IS EXTENDED AS CONTINUOUS FLASHING AS HIGH AS POSSIBLE. FLASHING MUST BE TERMINATED NO LESS THAN 4" ABOVE SUBSTRATE.

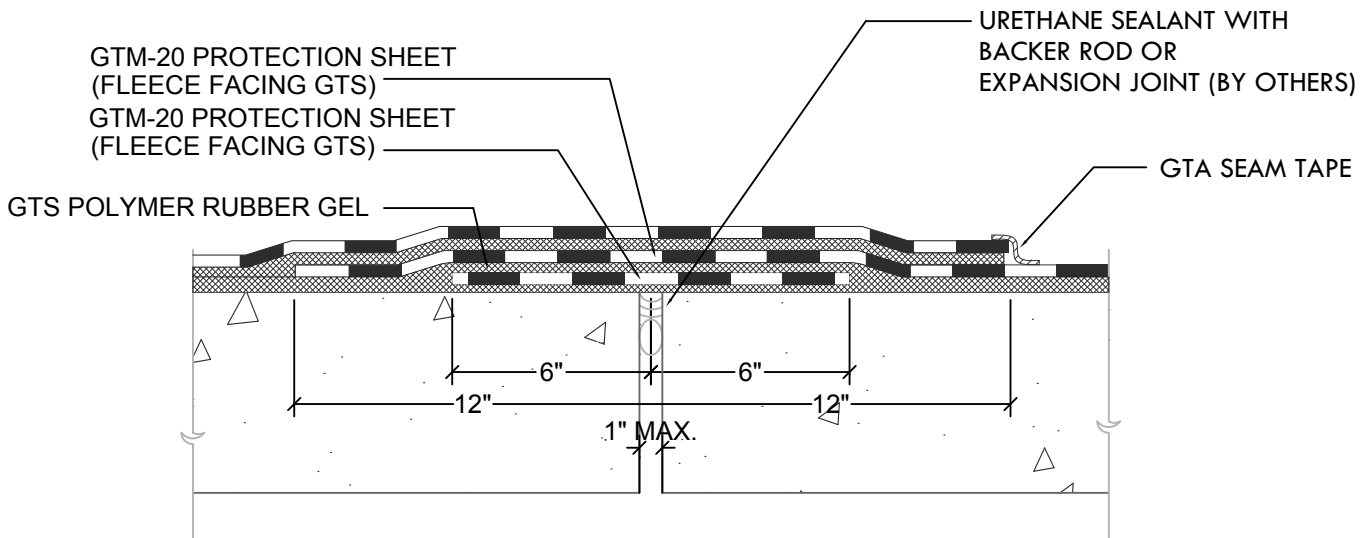
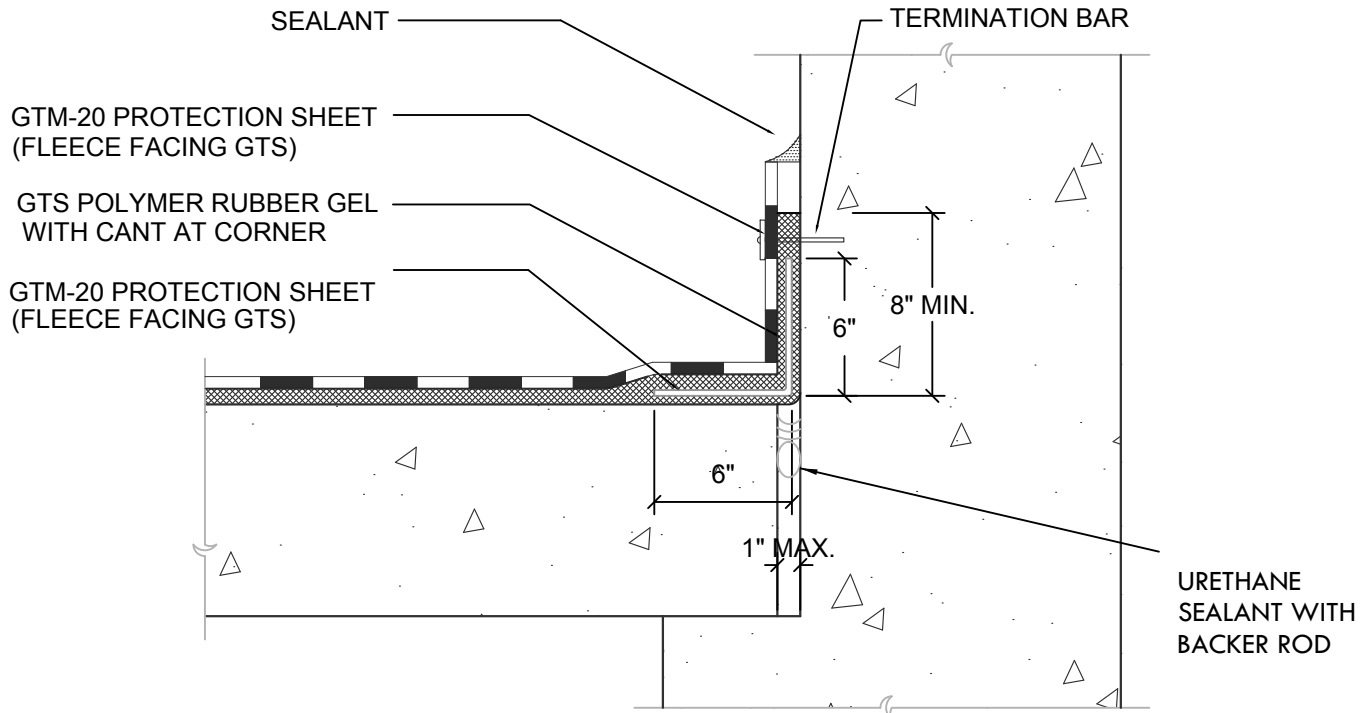
ALL GTM PROTECTION SHEET SEAMS MUST BE TAPED.



1136 114th Lane NW
 #400 MINNEAPOLIS
 MN 55448
 OFFICE: 612.872.1900
 www.re-systemsgroup.com

TYPICAL CONSTRUCTION JOINT

DATE :	10.26.23
SCALE :	NTS
DRAWING NO. :	GTS-350-BG 04



NOTES: DETAIL DESIGNED TO ACCOMMODATE MAX. 50% TOTAL MOVEMENT.

BACKER ROD AND SEALANT ARE REQUIRED IN JOINT PRIOR TO GTS INSTALLATION.

IN COVERED/BURIED CONDITIONS, GTS IS EXTENDED AS CONTINUOUS FLASHING AS HIGH AS POSSIBLE. FLASHING MUST BE TERMINATED NO LESS THAN 4" ABOVE SUBSTRATE. IN ADDITION, ADEQUATE PROTECTION MUST BE PROVIDED FOR FLASHING FROM SUBSEQUENT TOPPING/BACKFILL. WHENEVER POSSIBLE THE EXPANSION JOINT SHOULD BE EXTENDED UP THROUGH ALL TOPPING LAYERS.

ALL GTM PROTECTION SHEET SEAMS MUST BE TAPED.

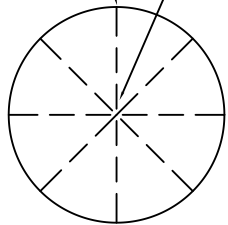


1136 114th Lane NW
 #400 MINNEAPOLIS
 MN 55448
 OFFICE: 612.872.1900
 www.re-systemsgroup.com

TYPICAL EXPANSION JOINT DETAILS

DATE :	10.26.23
SCALE :	NTS
DRAWING NO. :	GTS-350-BG 05

PENETRATION
PROFILE



GTM-20 PROTECTION SHEET
RELIEF CUTS

PIPE PENETRATION

GTA SEAM TAPE - POSITION AT BASE
OF GTS MEMBRANE DETAIL PATCH

GTS
POLYMER RUBBER GEL

GTM-20 PROTECTION SHEET
(FLEECE FACING GTS)

GTS
POLYMER RUBBER GEL

GTM-20 PROTECTION SHEET
(FLEECE FACING GTS)

APPROVED
WATERSTOP
BY OTHERS

MUD SLAB

BACKER ROD WITH SEALANT

ASSEMBLY

FINISHED

NOTES: ALL PENETRATIONS TO BE GROUTED. A MINIMUM OF 6 INCHES IS REQUIRED BETWEEN PENETRATIONS TO ENSURE PROPER DETAILING.
AVOID PLACEMENT OF MULTIPLE PENETRATIONS.

ALL GTM PROTECTION SHEET SEAMS MUST BE TAPED.



RE-SYSTEMS GROUP
AMERICAS

1136 114th Lane NW
#400 MINNEAPOLIS
MN 55448
OFFICE: 612. 872. 1900
www.re-systemsgroup.com

TYPICAL PIPE PENETRATION

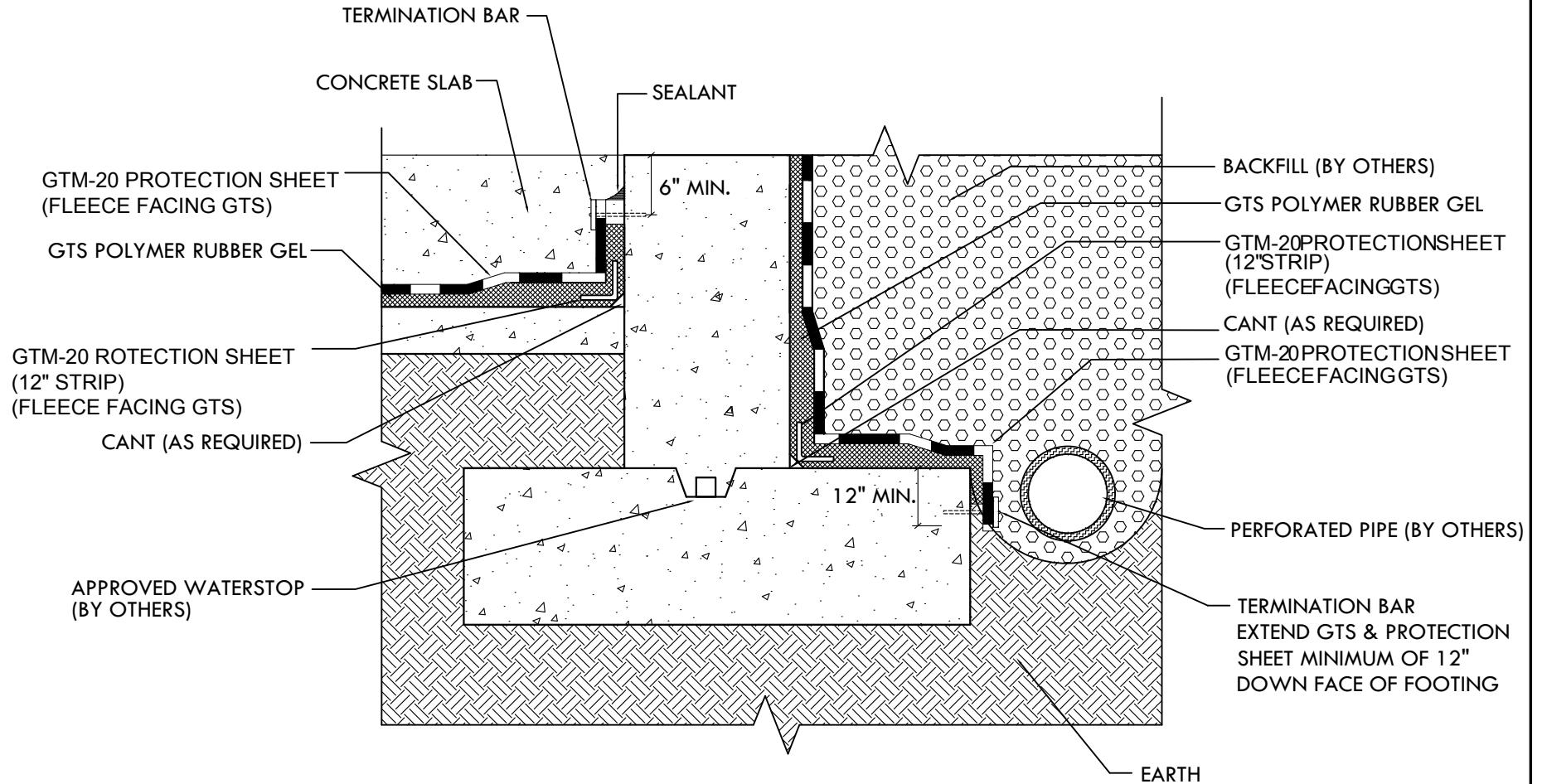
DATE: 10.26.23

SCALE: NTS

DRAWING NO.:
GTS-350-BG 06

OPTIONAL SLAB ON GRADE WATERPROOFING

FOUNDATION POSITIVE SIDE WATERPROOFING



NOTE: ALL GTM PROTECTION SHEET SEAMS MUST BE TAPED.



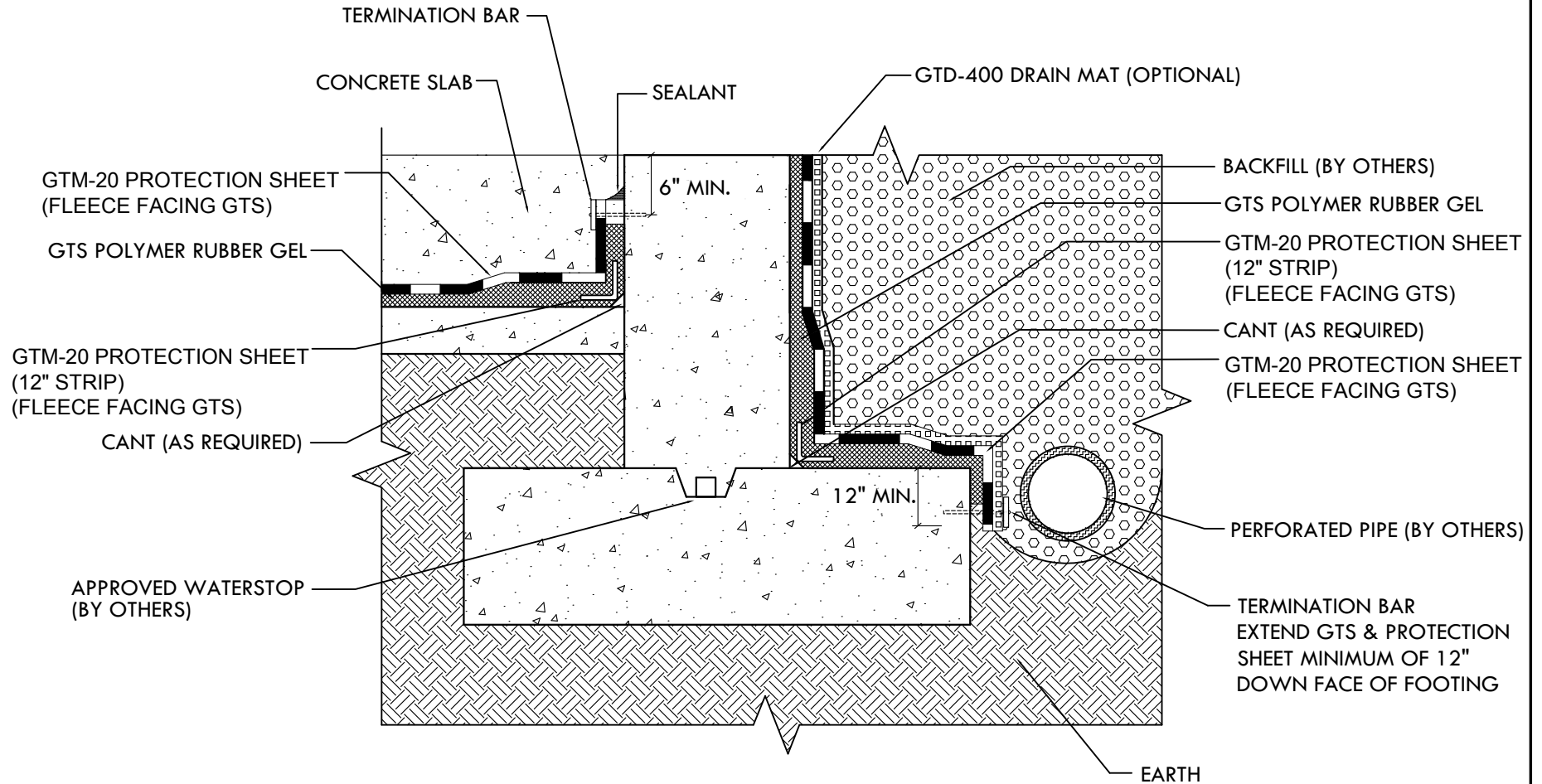
1136 114th Lane NW
 #400 MINNEAPOLIS
 MN 55448
 OFFICE: 612.872.1900
 www.re-systemsgroup.com

FOOTING #1

DATE:	10.26.23
SCALE:	NTS
DRAWING NO.:	GTS-350-BG 07

OPTIONAL SLAB ON GRADE WATERPROOFING

FOUNDATION POSITIVE SIDE WATERPROOFING



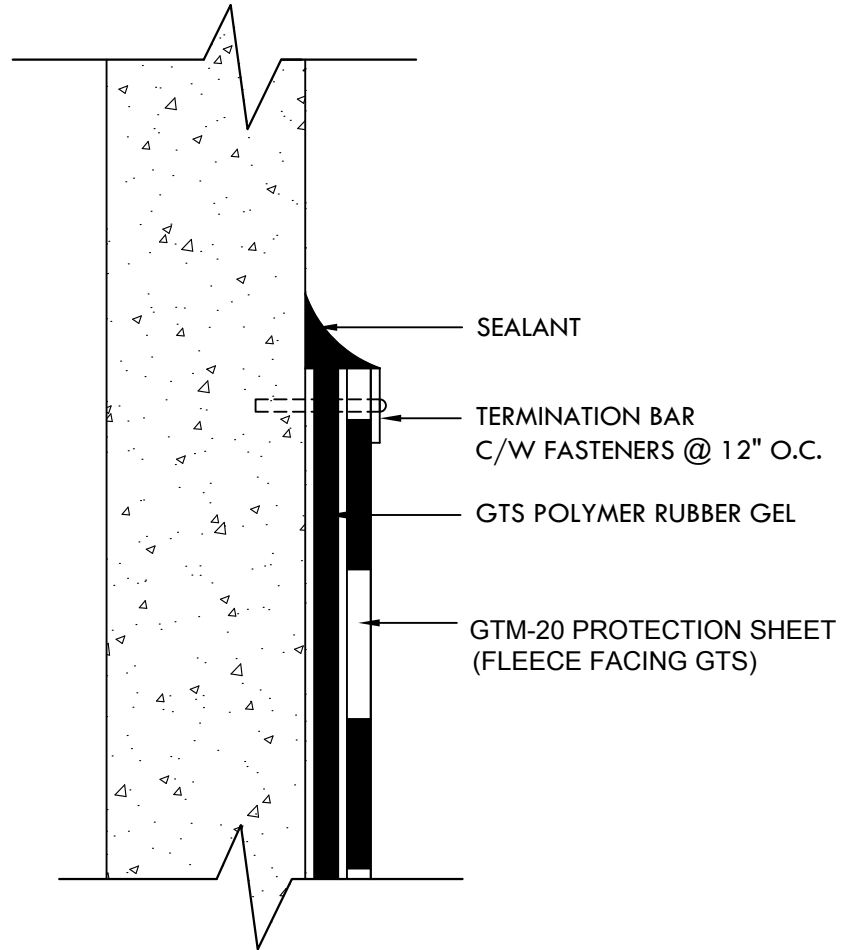
NOTE: ALL GTM PROTECTION SHEET SEAMS MUST BE TAPED.



1136 114th Lane NW
 #400 MINNEAPOLIS
 MN 55448
 OFFICE: 612.872.1900
 www.re-systemsgroup.com

FOOTING #2 WITH INTEGRATED DRAIN MAT

DATE:	10.26.23
SCALE:	NTS
DRAWING NO.:	GTS-350-BG 08



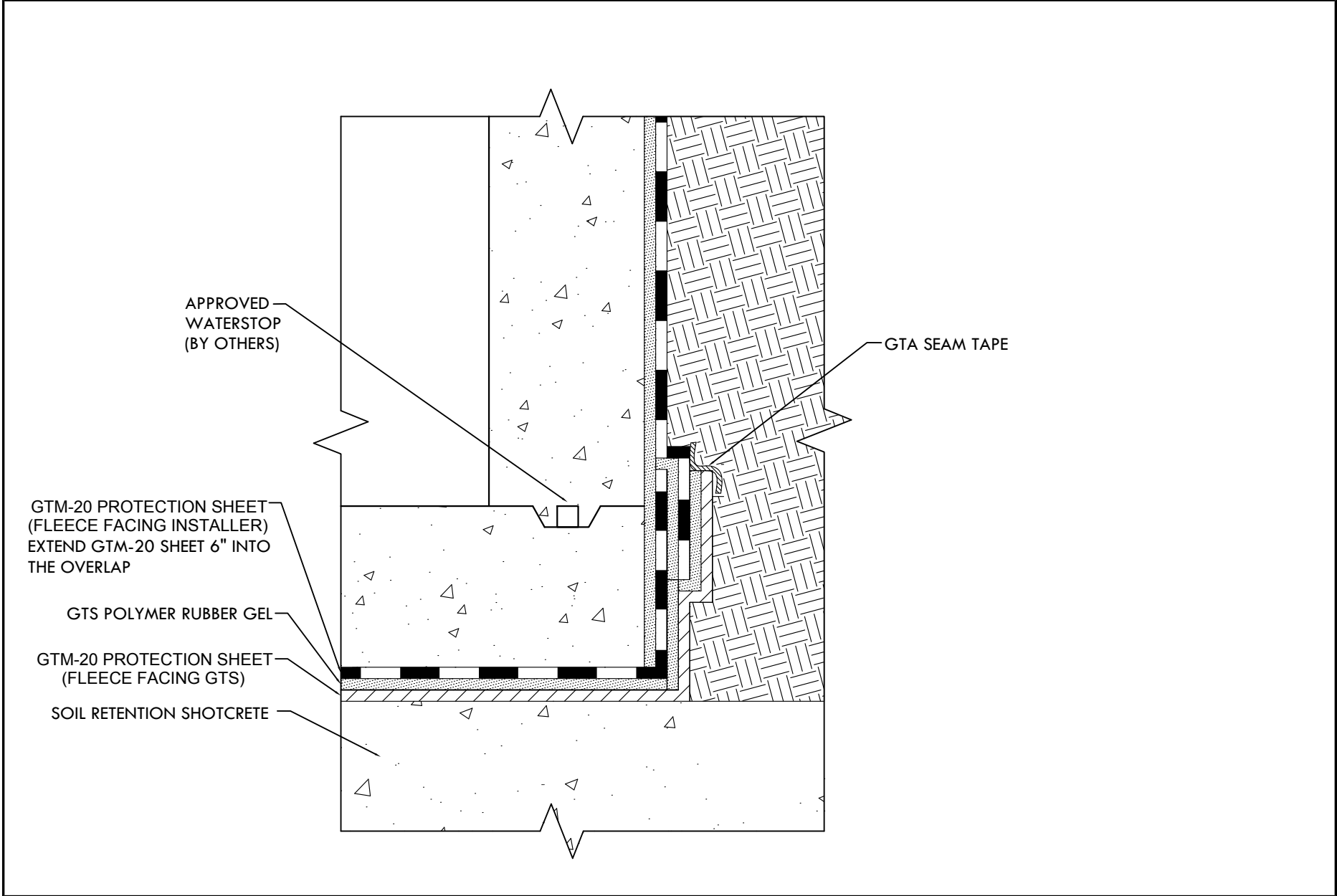
NOTE: ALL GTM PROTECTION SHEET SEAMS MUST BE TAPED.



1136 114th Lane NW
#400 MINNEAPOLIS
MN 55448
OFFICE: 612.872.1900
www.re-systemsgroup.com

TERMINATION BAR DETAIL

DATE :	10.26.23
SCALE :	NTS
DRAWING NO. :	GTS-350-BG-09



APPROVED
WATERSTOP
(BY OTHERS)

GTA SEAM TAPE

GTM-20 PROTECTION SHEET
(FLEECE FACING INSTALLER)
EXTEND GTM-20 SHEET 6" INTO
THE OVERLAP

GTS POLYMER RUBBER GEL

GTM-20 PROTECTION SHEET
(FLEECE FACING GTS)

SOIL RETENTION SHOTCRETE

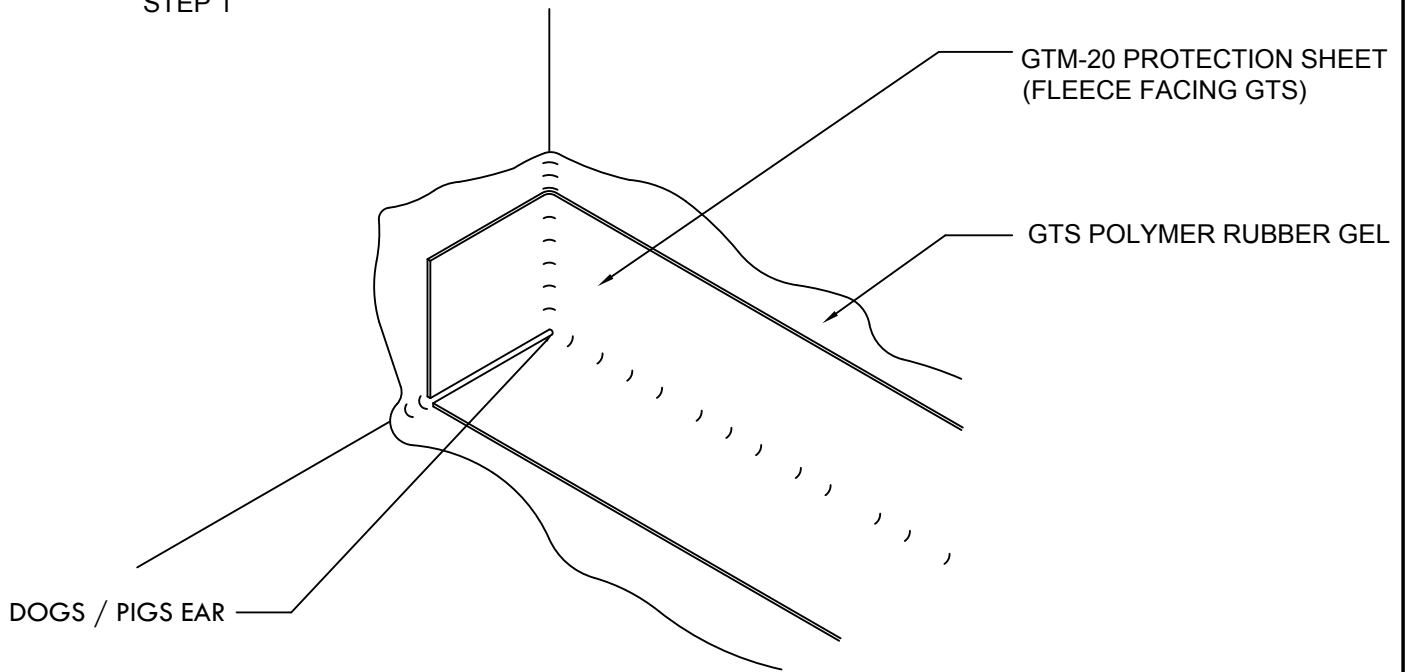


1136 114th Lane NW
#400 MINNEAPOLIS
MN 55448
OFFICE: 612. 872. 1900
www.re-systemsgroup.com

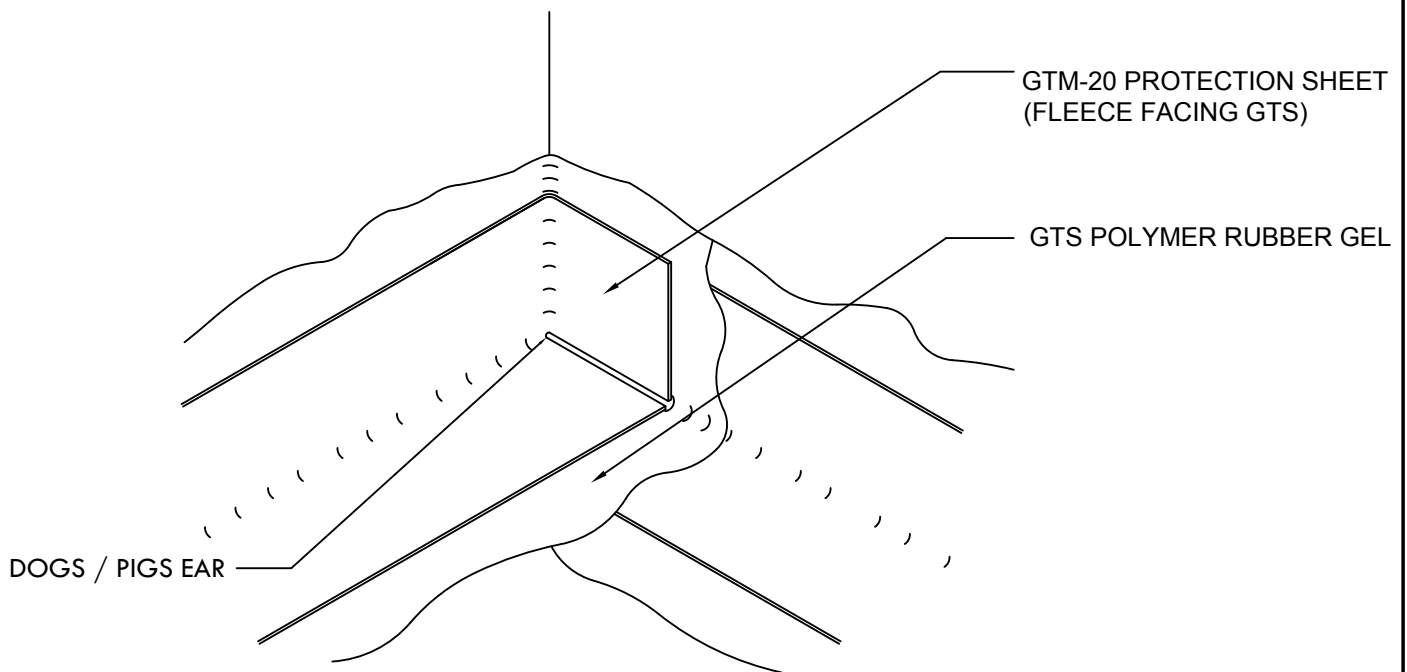
VERTICAL BLIND SIDE TO
POSITIVE SIDE VERTICAL WALL TRANSITION

DATE :	10.26.23
SCALE :	NTS
DRAWING NO. :	GTS-350-BG 10

STEP 1



STEP 2



STEP 3

COMPLETELY ENCAPSULATE ALL EXPOSED REINFORCING WITH A TOP COATING OF GTS POLYMER RUBBER GEL.

NOTE: ALL GTM PROTECTION SHEET SEAMS MUST BE TAPED.

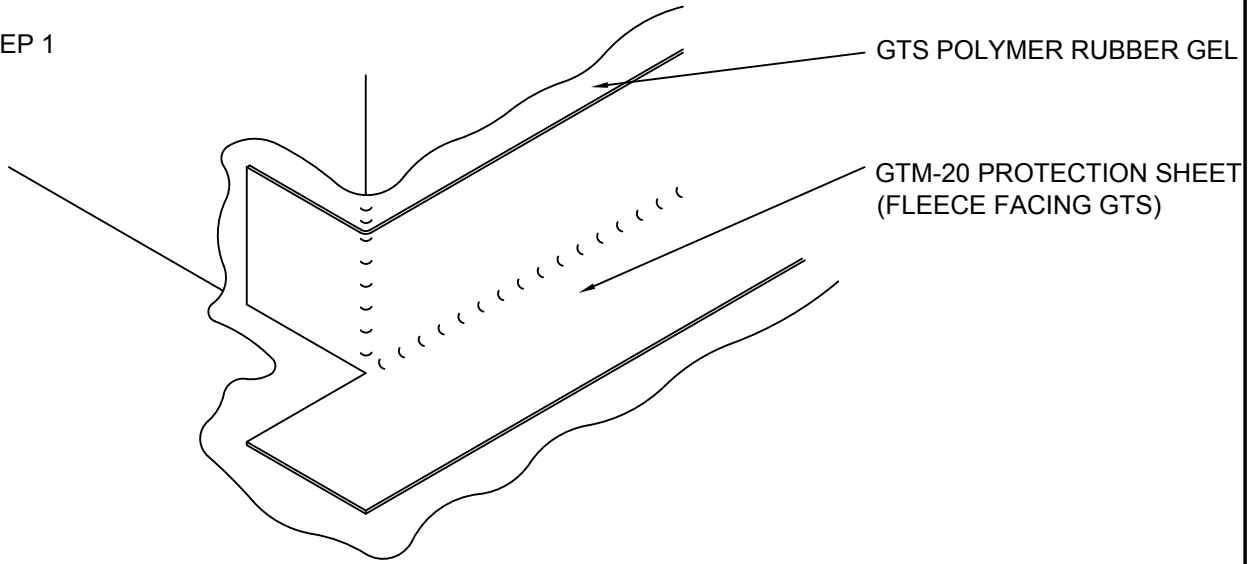


1136 114th Lane NW
#400 MINNEAPOLIS
MN 55448
OFFICE: 612.872.1900
www.re-systemsgroup.com

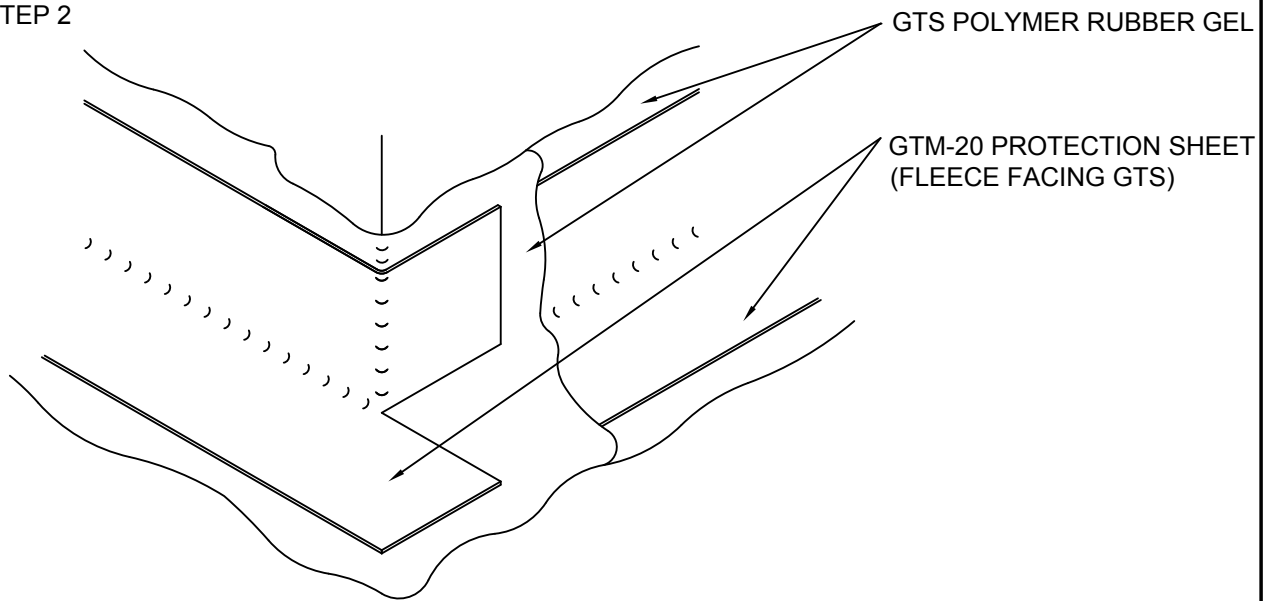
INSIDE CORNER REINFORCEMENT

DATE :	10.26.23
SCALE :	NTS
DRAWING NO. :	GTS-350-BG 11

STEP 1



STEP 2



STEP 3

COMPLETELY ENCAPSULATE ALL EXPOSED REINFORCING WITH A TOP COATING OF GTS POLYMER RUBBER GEL.

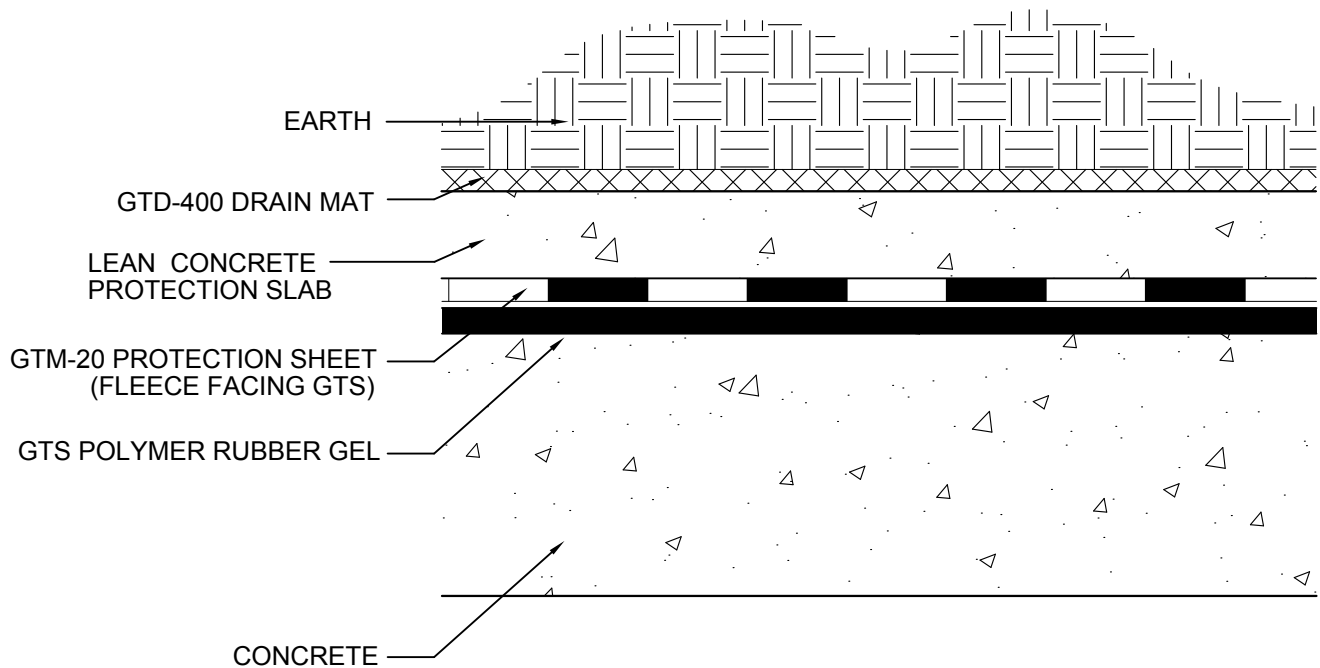
NOTE: ALL GTM PROTECTION SHEET SEAMS MUST BE TAPED.



1136 114th Lane NW
#400 MINNEAPOLIS
MN 55448
OFFICE: 612.872.1900
www.re-systemsgroup.com

OUTSIDE CORNER REINFORCEMENT

DATE :	10.26.23
SCALE :	NTS
DRAWING NO. :	GTS-350-BG 12



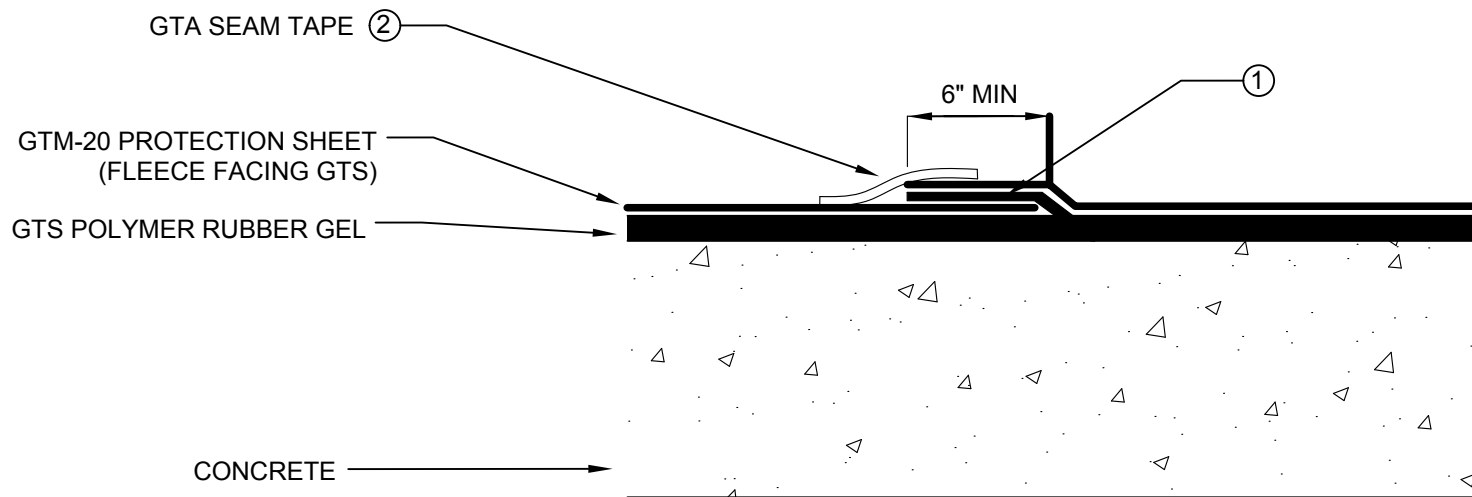
NOTE: ALL GTM PROTECTION SHEET SEAMS MUST BE TAPED.



1136 114th Lane NW
 #400 MINNEAPOLIS
 MN 55448
 OFFICE: 612.872.1900
 www.re-systemsgroup.com

ROOF DETAIL
 WITH PROTECTION SLAB

DATE:	10.26.23
SCALE:	NTS
DRAWING NO.:	GTS-350-BG 13



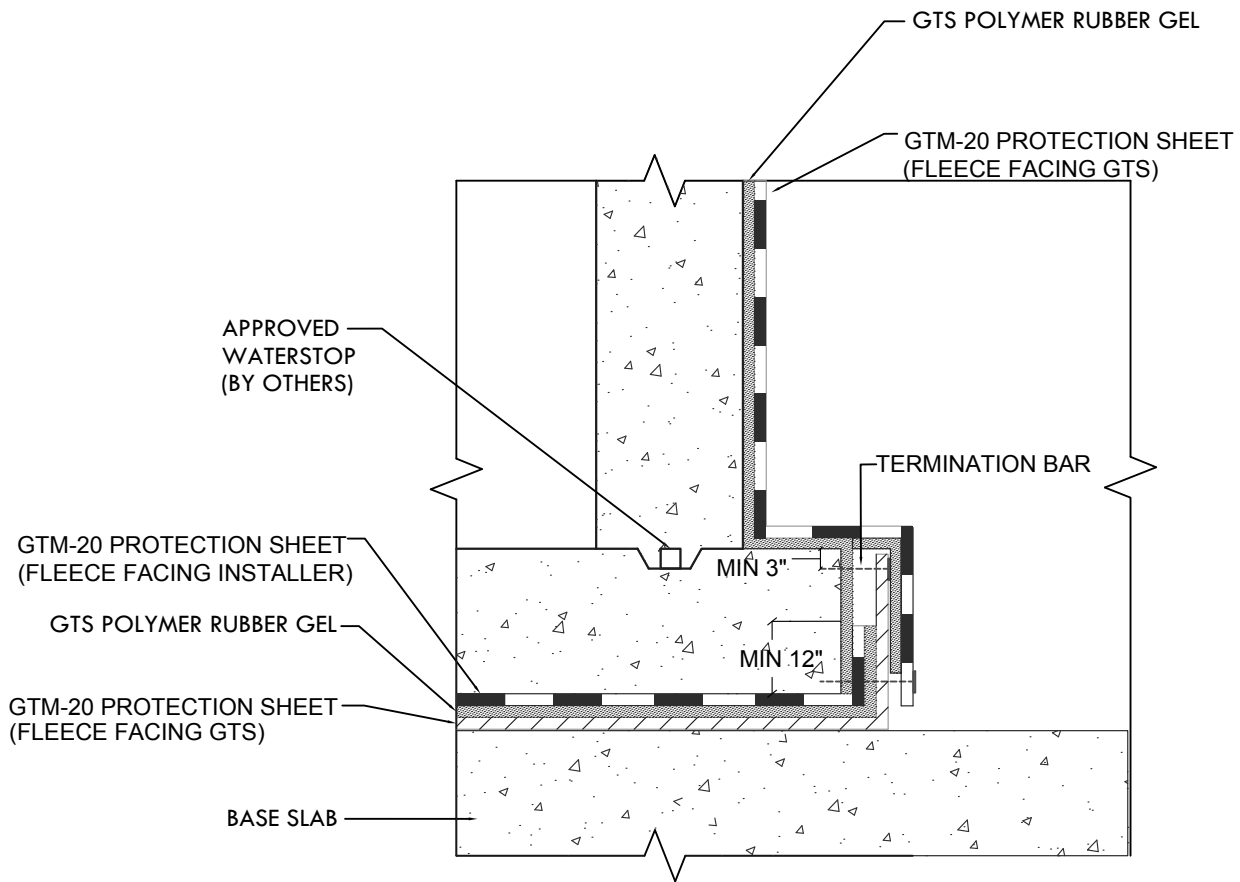
- ① SPRAY GTS MEMBRANE OVER UNDERLYING SHEET AT ALL LAPS.
- ② ALL GTM PROTECTION SHEET SEAMS MUST BE TAPED.
WHEN APPLYING GTA SEAM TAPE, CENTER TAPE ON EDGE OF OVERLAPING SHEET.



1136 114th Lane NW
#400 MINNEAPOLIS
MN 55448
OFFICE: 612.872.1900
www.re-systemsgroup.com

TYPICAL SHEET LAP DETAIL

DATE:	10.26.23
SCALE:	NTS
DRAWING NO.:	GTS-350-BG 14



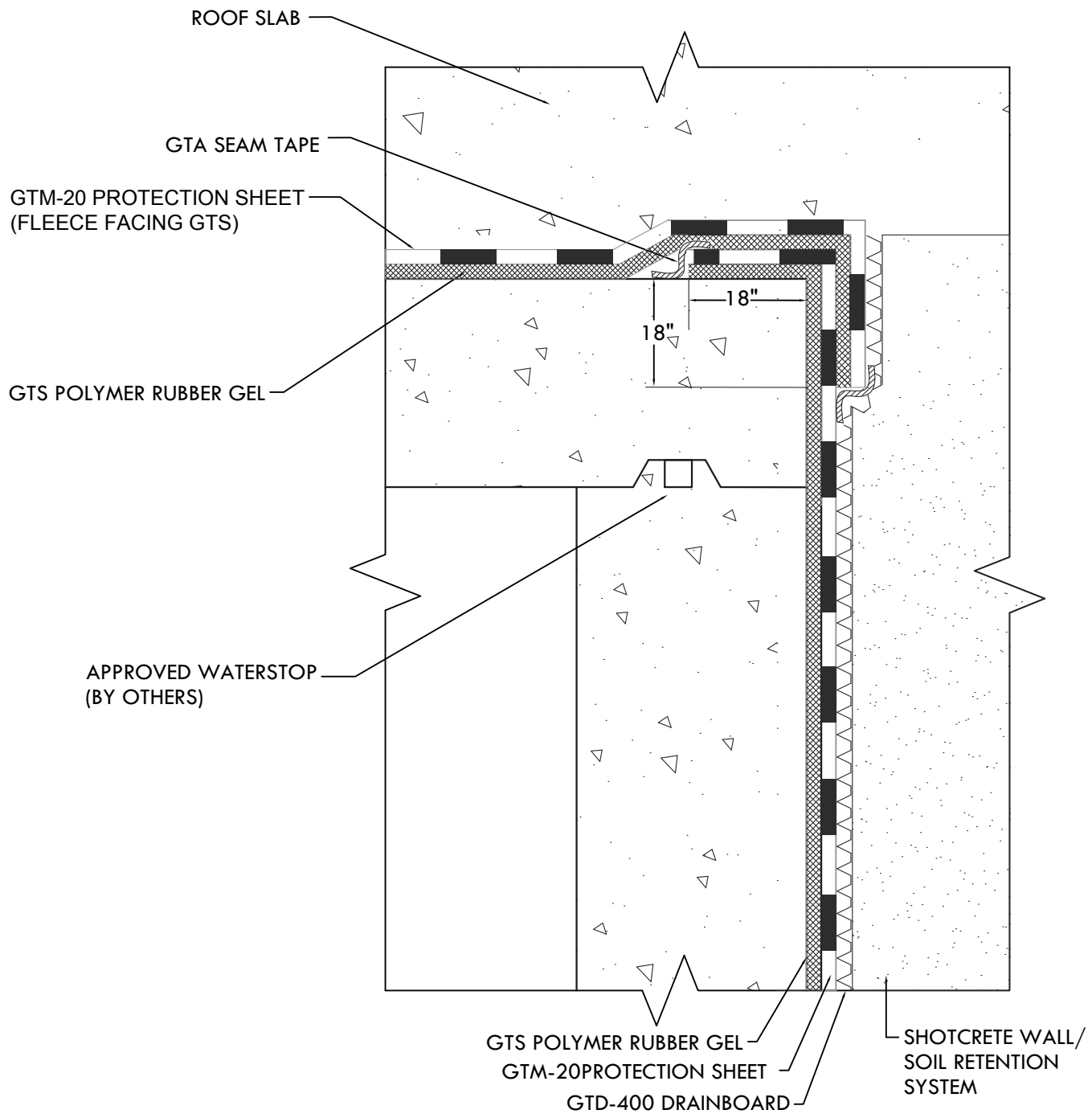
NOTE: ALL GTM PROTECTION SHEET SEAMS MUST BE TAPED.



1136 114th Lane NW
 #400 MINNEAPOLIS
 MN 55448
 OFFICE: 612.872.1900
 www.re-systemsgroup.com

HORIZONTAL BLIND SIDE TO
 POSITIVE SIDE VERTICAL WALL TRANSITION

DATE :	10.26.23
SCALE :	NTS
DRAWING NO. :	GTS-350-BG 15



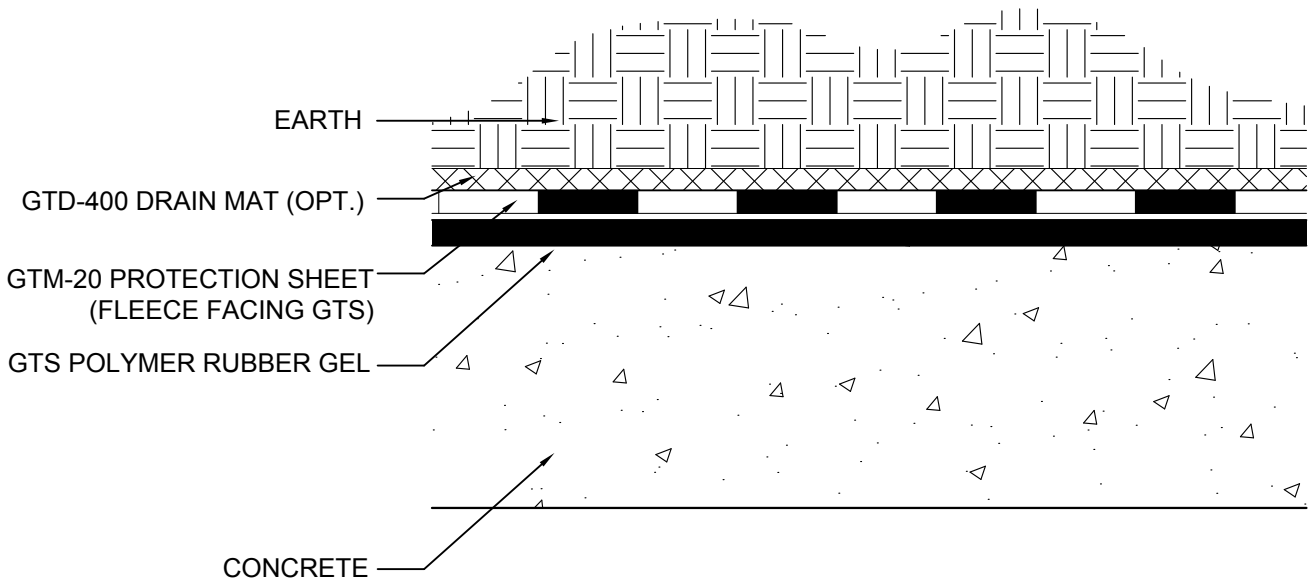
NOTE: ALL GTM PROTECTION SHEET SEAMS MUST BE TAPED.



1136 114th Lane NW
 #400 MINNEAPOLIS
 MN 55448
 OFFICE: 612.872.1900
 www.re-systemsgroup.com

POSITIVE SIDE VERTICAL WALL
 TO ROOF TRANSITION

DATE:	10.26.23
SCALE:	NTS
DRAWING NO.:	GTS-350-BS 16



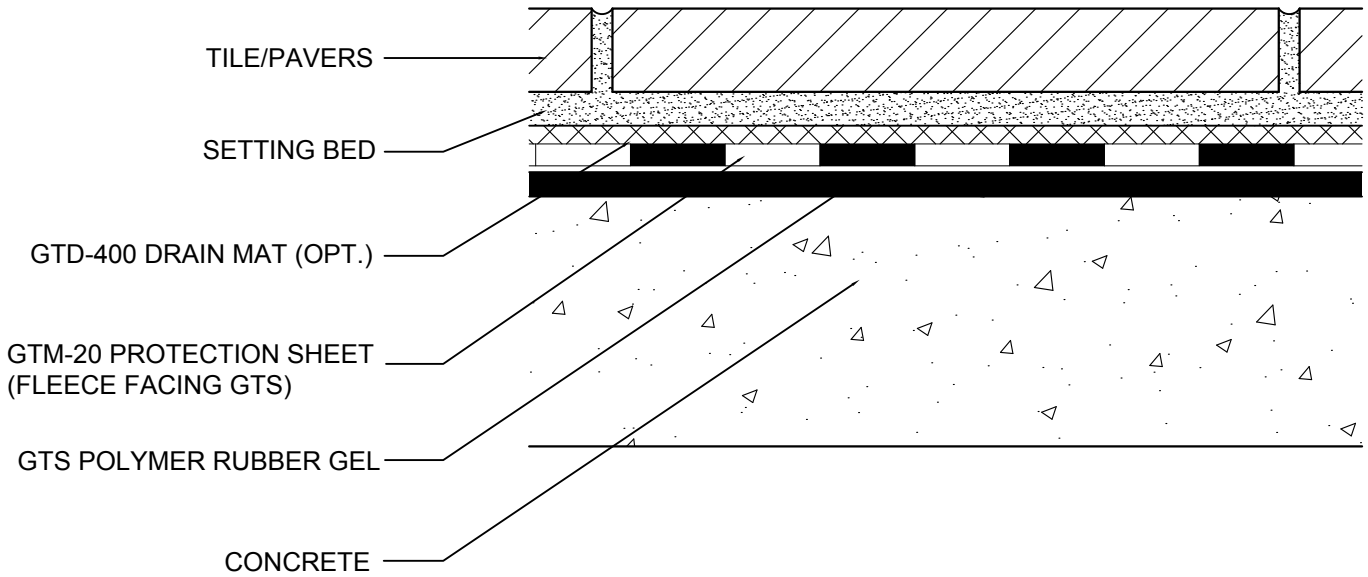
NOTE: ALL GTM PROTECTION SHEET SEAMS MUST BE TAPED.



1136 114th Lane NW
 #400 MINNEAPOLIS
 MN 55448
 OFFICE: 612. 872. 1900
 www.re-systemsgroup.com

TYPICAL PLAZA DETAIL - EARTH COVER
 (PLANTER, LANDSCAPE)

DATE : 10.26.23
 SCALE : NTS
 DRAWING NO. : GTS-350-PZ 01



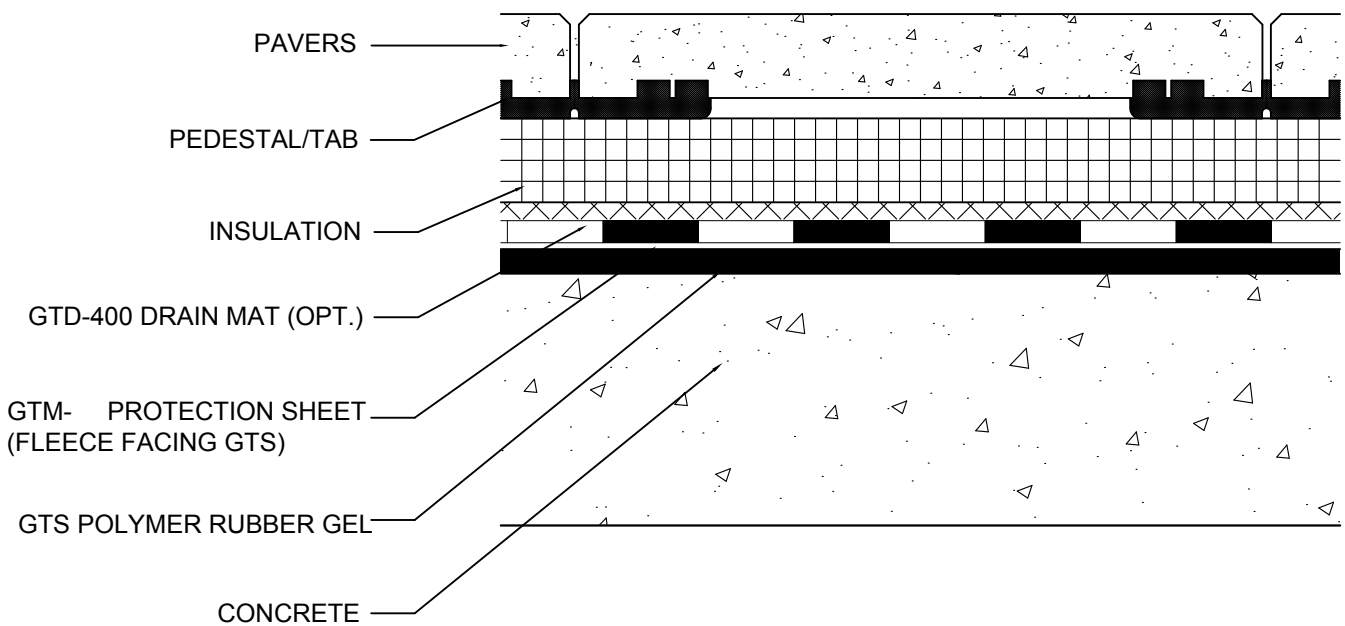
NOTE: ALL GTM PROTECTION SHEET SEAMS MUST BE TAPED.



1136 114th Lane NW
 #400 MINNEAPOLIS
 MN 55448
 OFFICE: 612.872.1900
 www.re-systemsgroup.com

PLAZA/TERRACE
 (TILE/PAVER IN SETTING BED)

DATE: 10.26.23
 SCALE: NTS
 DRAWING NO.: GTS-350-PZ 02



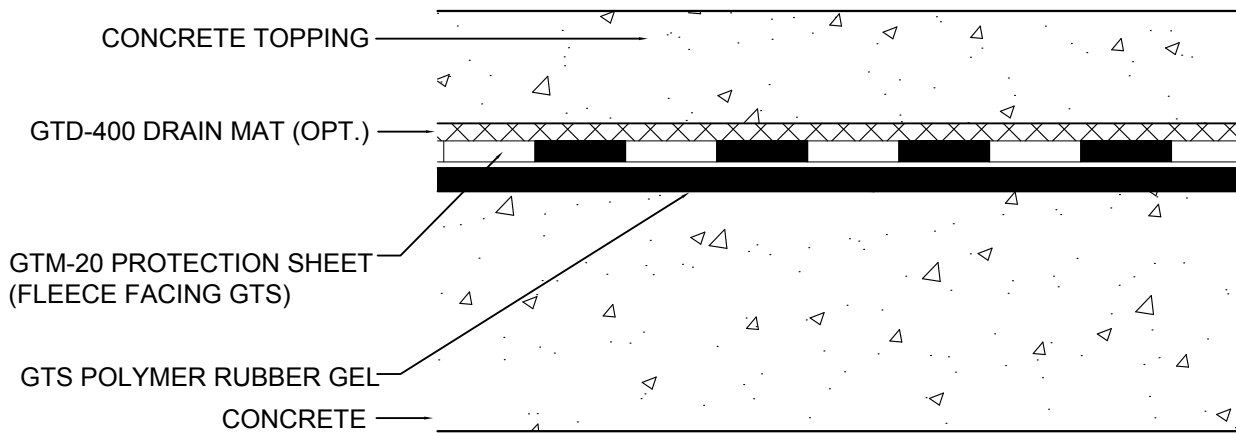
NOTE: ALL GTM PROTECTION SHEET SEAMS MUST BE TAPED.



1136 114th Lane NW
 #400 MINNEAPOLIS
 MN 55448
 OFFICE: 612.872.1900
 www.re-systemsgroup.com

PLAZA/TERRACE
 (OPEN-JOINT PAVERS)

DATE: 10.26.23
 SCALE: NTS
 DRAWING NO.: GTS-350-PZ 03



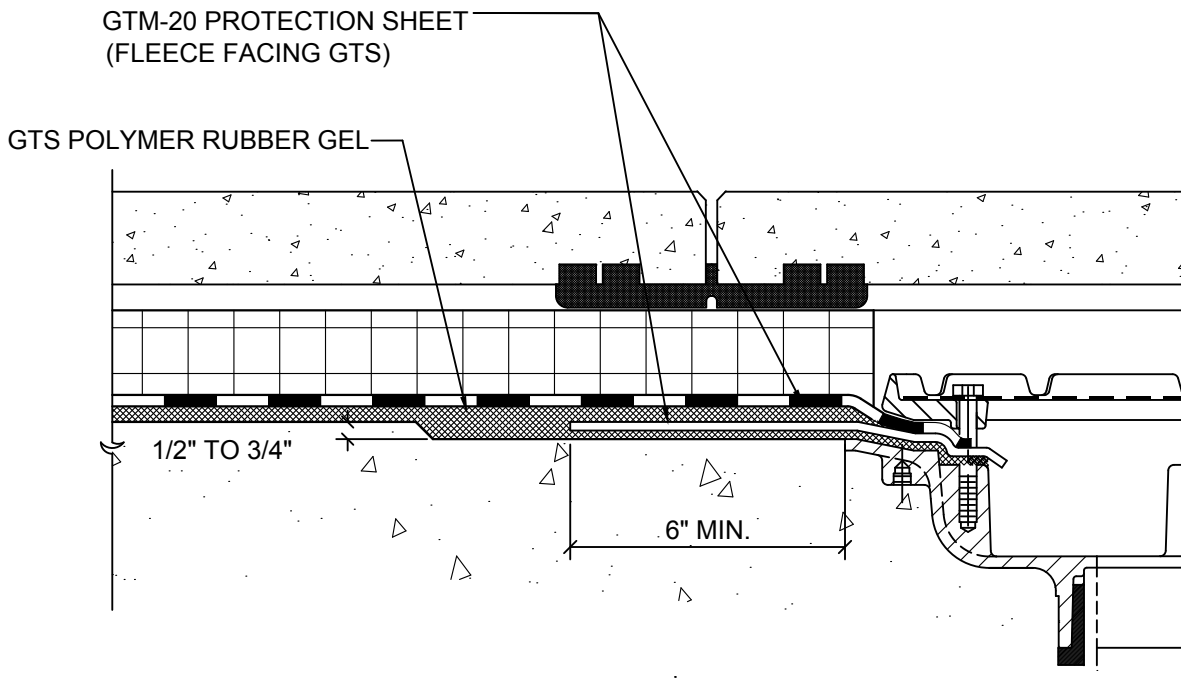
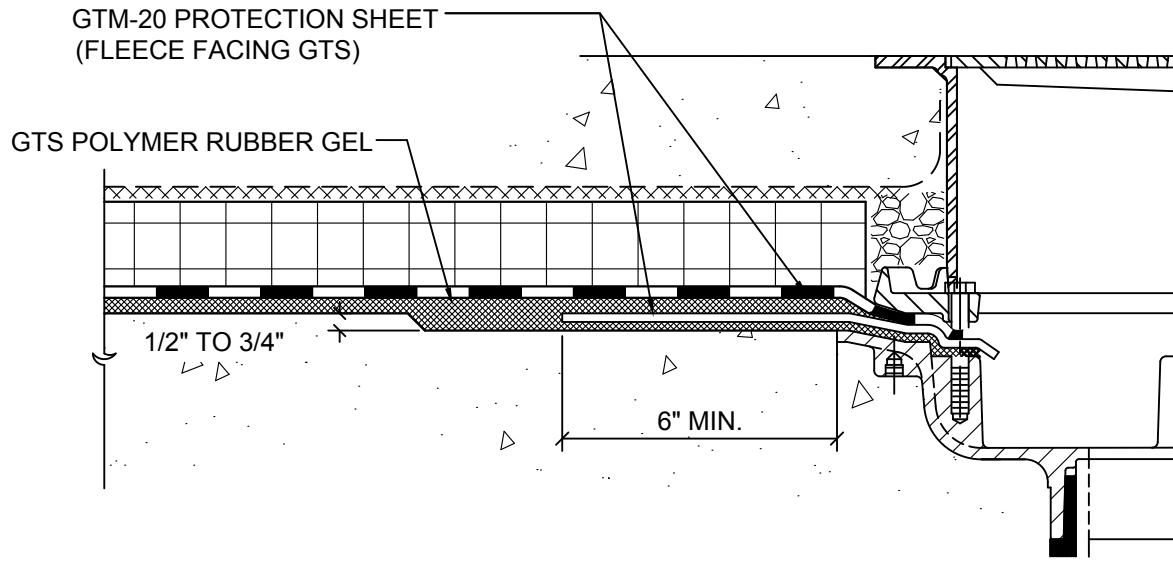
NOTE: ALL GTM PROTECTION SHEET SEAMS MUST BE TAPED.



1136 114th Lane NW
 #400 MINNEAPOLIS
 MN 55448
 OFFICE: 612. 872. 1900
 www.re-systemsgroup.com

PLAZA SPLIT SLAB

DATE:	10.26.23
SCALE:	NTS
DRAWING NO.:	GTS-350-PZ 04



NOTES: AREA AROUND DRAIN SHOULD BE DEPRESSED/SUMPED (SEE DRAWING) TO PROMOTE POSITIVE WATER DRAINAGE.

REINFORCEMENT SHALL BE ONE SHEET EXTENDING A MINIMUM OF 6" BEYOND THE DRAIN FLANGE ON ALL SIDES AND SECURED IN CLAMPING RING AT DRAIN.

ALL DRAINS ARE REQUIRED TO HAVE FLASHING CLAMPING RING ASSEMBLIES. CONSULT SPECIFIC DRAIN MANUFACTURER FOR ADDL. ACCESSORIES (i.e., DEBRIS SCREENS, LOW-PROFILE DOMES, EXTENSIONS, ETC.)

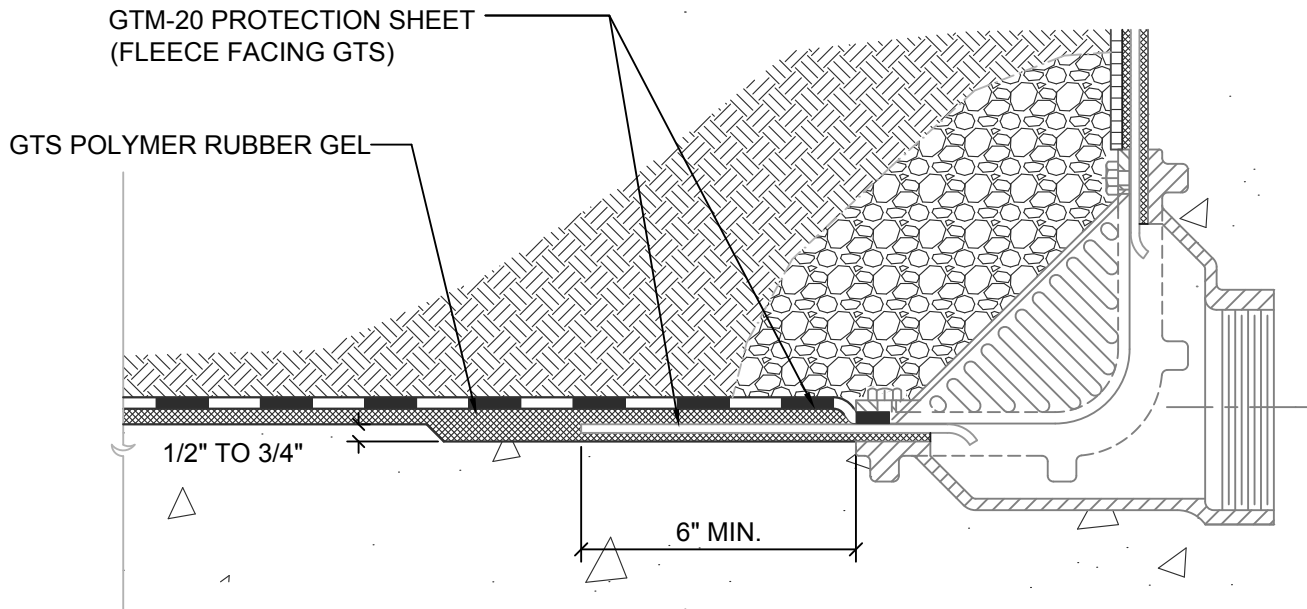
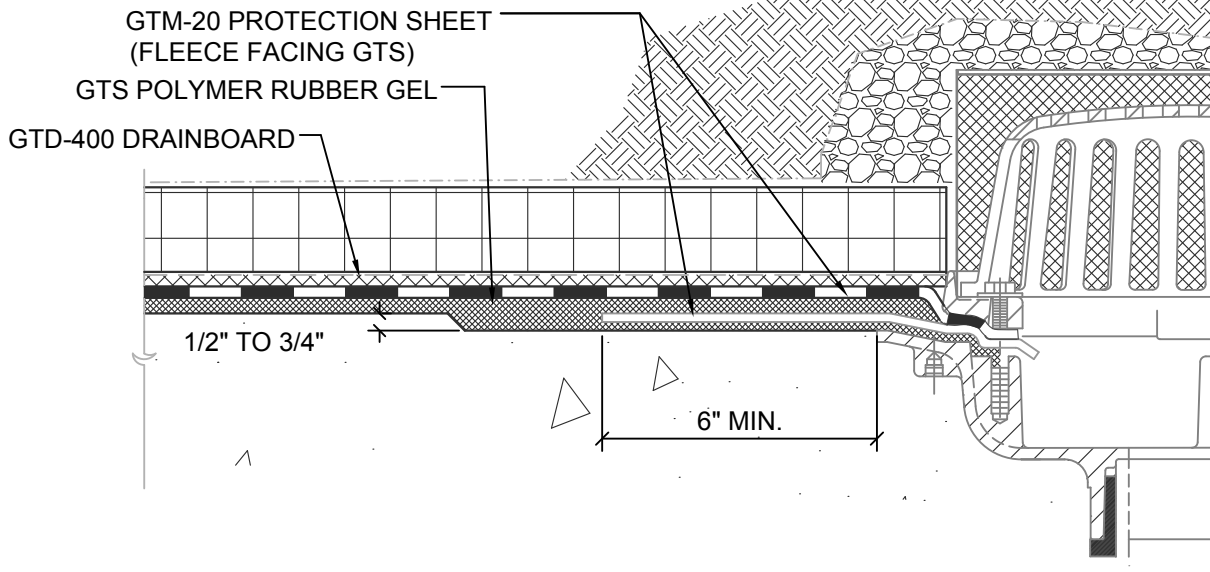
ALL GTM PROTECTION SHEET SEAMS MUST BE TAPED.



1136 114th Lane NW
 #400 MINNEAPOLIS
 MN 55448
 OFFICE: 612.872.1900
 www.re-systemsgroup.com

TYPICAL DECK DRAIN

DATE : 10.26.23
 SCALE : NTS
 DRAWING NO. : GTS-350-PZ 05



NOTES: AREA AROUND DRAIN SHOULD BE DEPRESSED/SUMPED (SEE DRAWING) TO PROMOTE POSITIVE WATER DRAINAGE.

REINFORCEMENT SHALL BE ONE SHEET EXTENDING A MINIMUM OF 6" BEYOND THE DRAIN FLANGE ON ALL SIDES AND SECURED IN CLAMPING RING AT DRAIN.

ALL DRAINS ARE REQUIRED TO HAVE FLASHING CLAMPING RING ASSEMBLIES.
CONSULT SPECIFIC DRAIN MANUFACTURER FOR ADDL. ACCESSORIES (i.e., DEBRIS SCREENS, LOW-PROFILE DOMES, EXTENSIONS, ETC.)

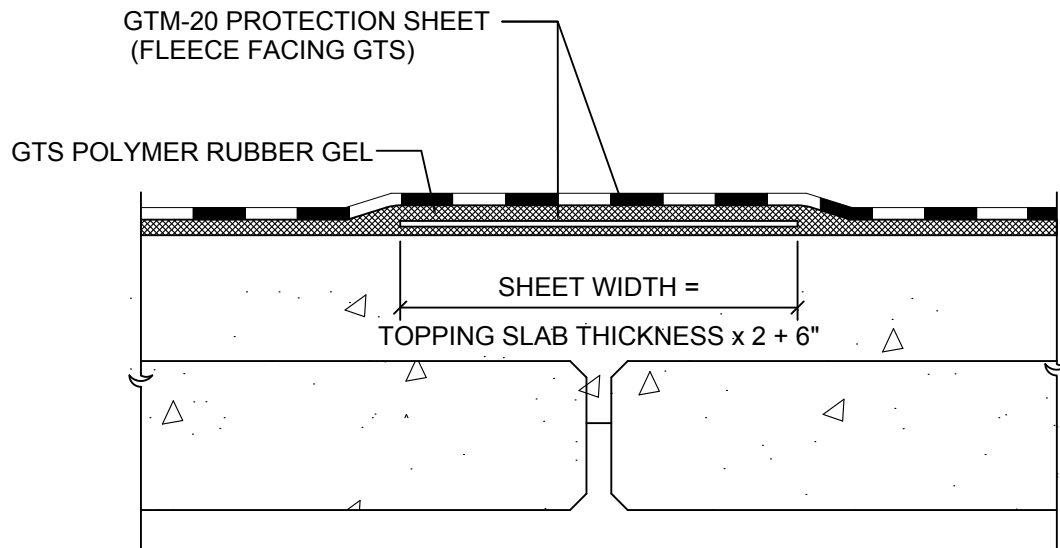
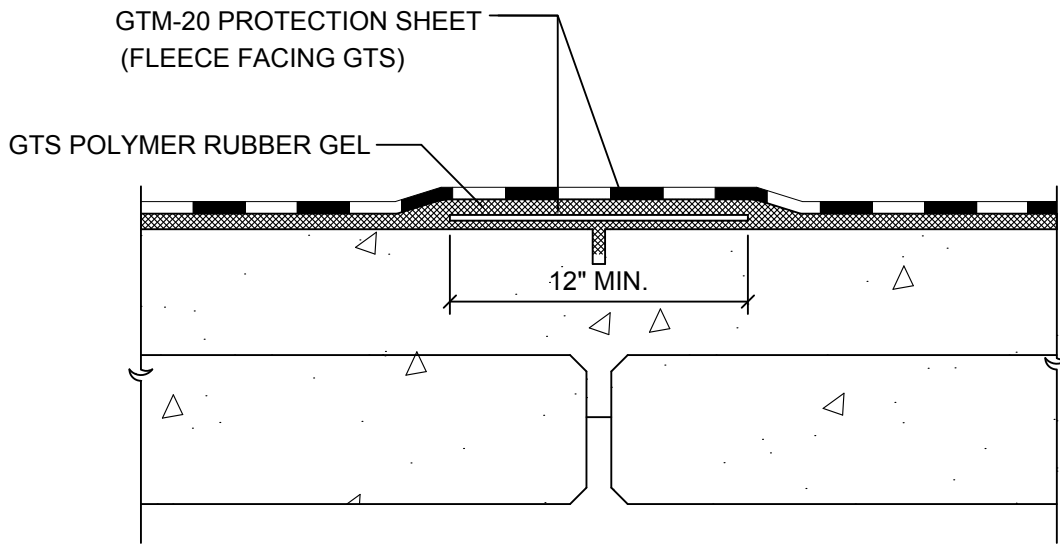
ALL GTM PROTECTION SHEET SEAMS MUST BE TAPED.



1136 114th Lane NW
#400 MINNEAPOLIS
MN 55448
OFFICE: 612.872.1900
www.re-systemsgroup.com

TYPICAL CORNER DRAIN

DATE: 10.26.23
SCALE: NTS
DRAWING NO.: GTS-350-PZ 06



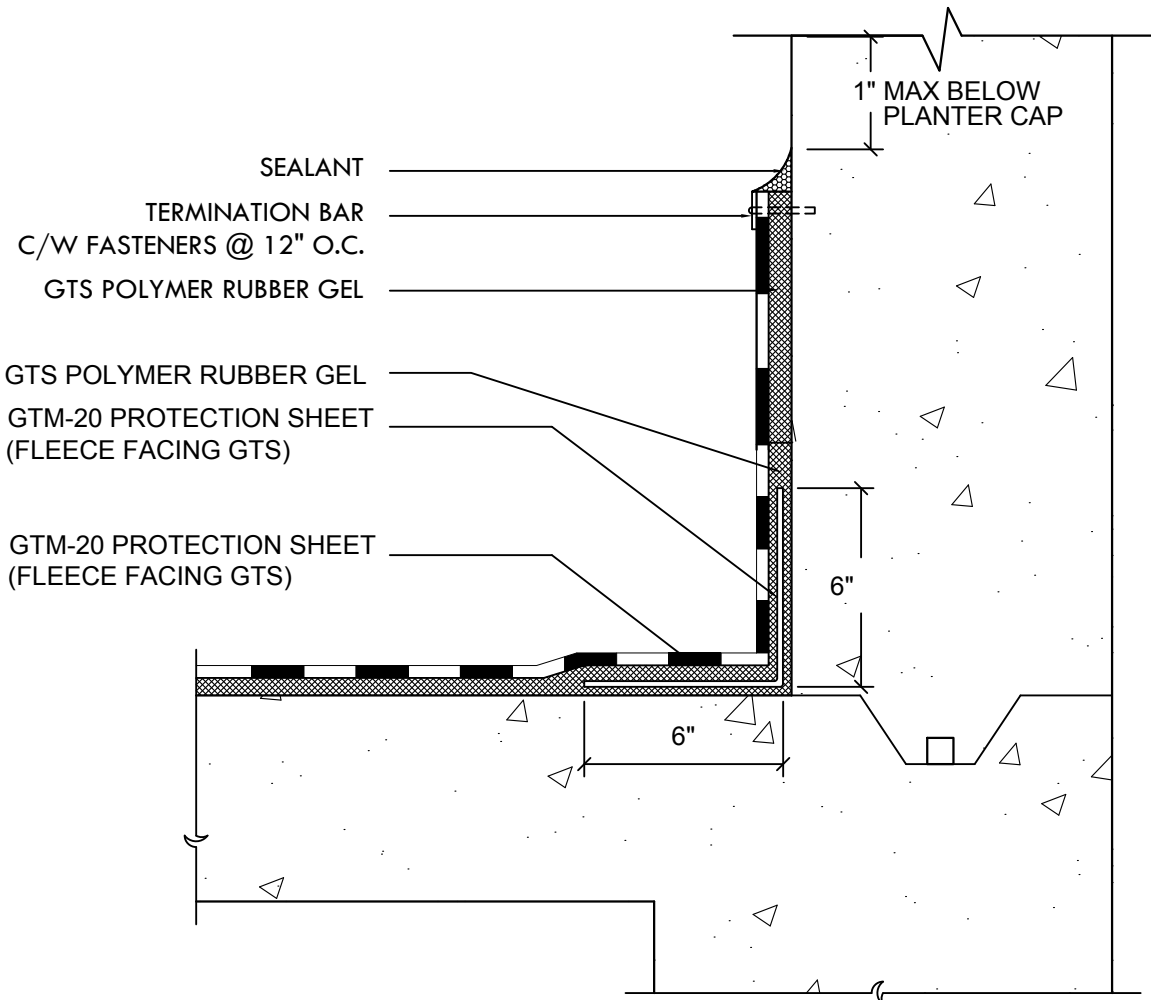
NOTE: ALL GTM PROTECTION SHEET SEAMS MUST BE TAPED.



1136 114th Lane NW
#400 MINNEAPOLIS
MN 55448
OFFICE: 612.872.1900
www.re-systemsgroup.com

TYPICAL PRECAST PLANK DECK
WITH TOPPING SLAB

DATE: 10.26.23
SCALE: NTS
DRAWING NO.: GTS-350-PZ 07



NOTE: ALL GTM PROTECTION SHEET SEAMS MUST BE TAPED.



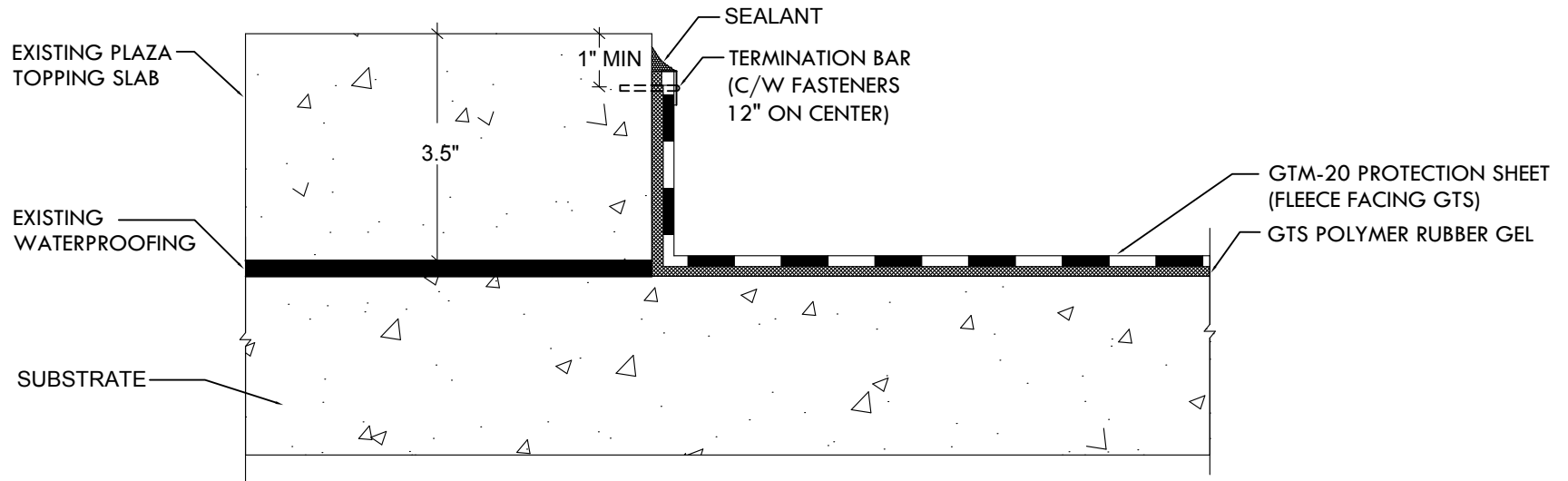
1136 114th Lane NW
#400 MINNEAPOLIS
MN 55448
OFFICE: 612.872.1900
www.re-systemsgroup.com

TYPICAL PLANTER
HORIZONTAL TO VERTICAL TERMINATION

DATE: 10.26.23

SCALE: NTS

DRAWING NO.: GTS 350-PZ-08



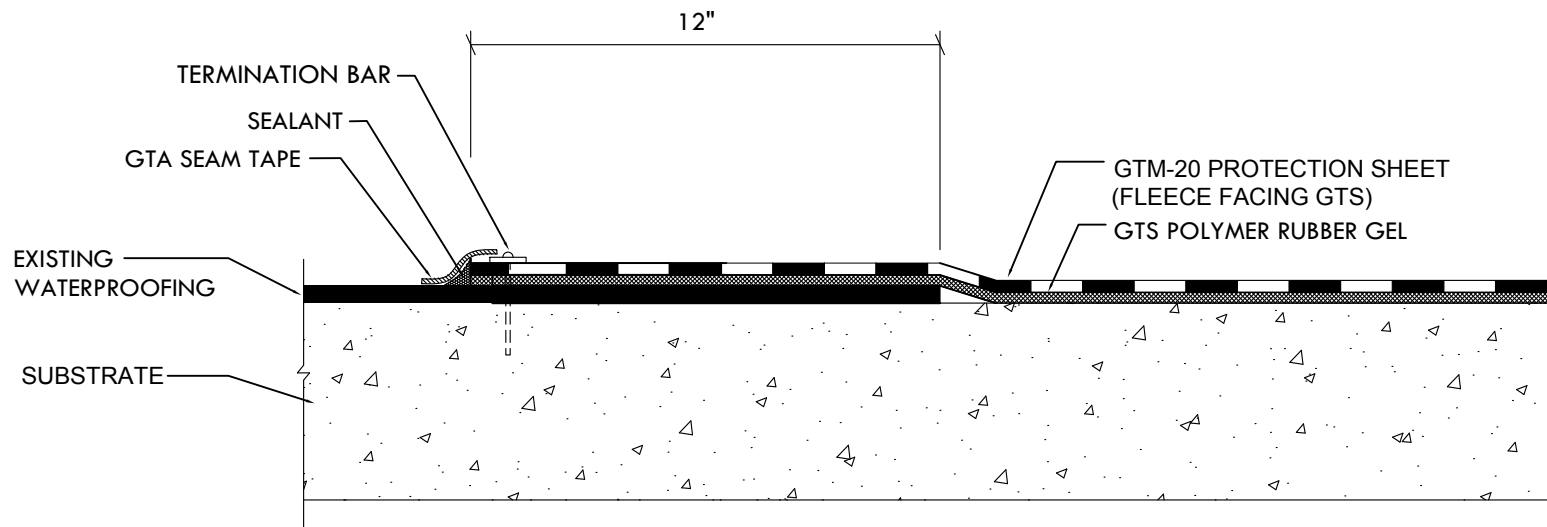
NOTE: ALL GTM PROTECTION SHEET SEAMS MUST BE TAPED.



1136 114th Lane NW
 #400 MINNEAPOLIS
 MN 55448
 OFFICE: 612.872.1900
 www.re-systemsgroup.com

TIE-IN TO EXISTING
 PLAZA SLAB

DATE :	10.26.23
SCALE :	NTS
DRAWING NO. :	GTS-350-PZ-09



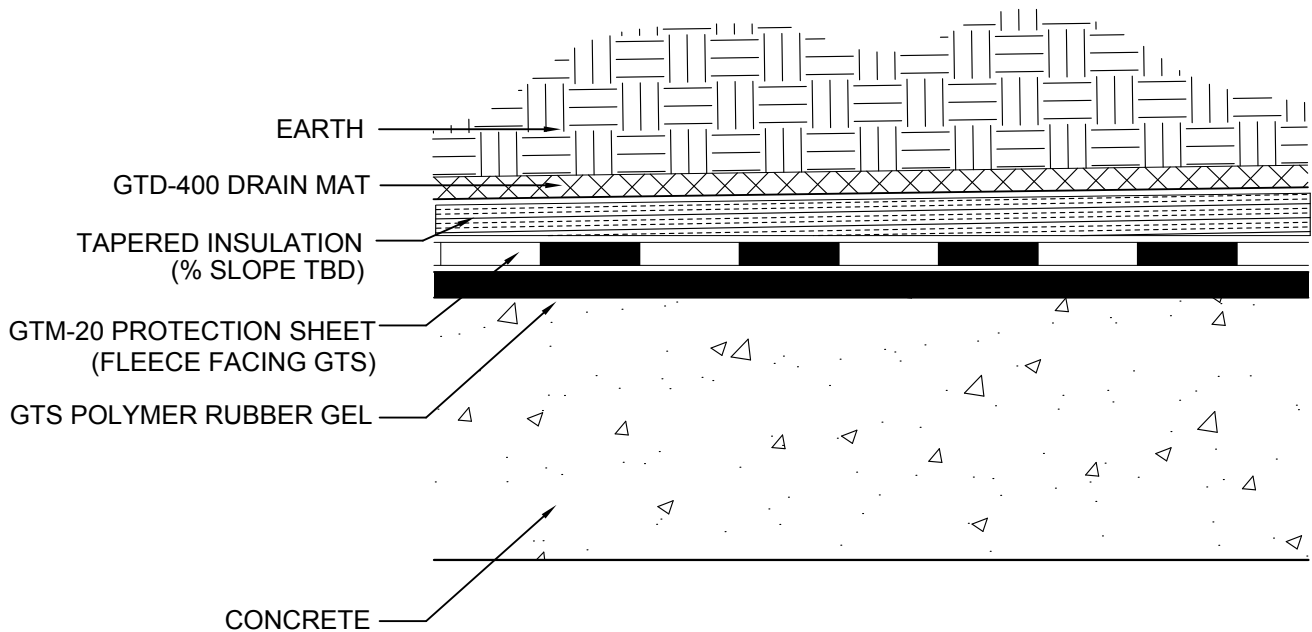
NOTE: ALL GTM PROTECTION SHEET SEAMS MUST BE TAPED.



1136 114th Lane NW
 #400 MINNEAPOLIS
 MN 55448
 OFFICE: 612.872.1900
 www.re-systemsgroup.com

TIE-IN TO EXISTING
 WATERPROOFING

DATE: 10.26.23
 SCALE: NTS
 DRAWING NO.: GTS-350-PZ-10



NOTE: ALL GTM PROTECTION SHEET SEAMS MUST BE TAPED.



1136 114th Lane NW
 #400 MINNEAPOLIS
 MN 55448
 OFFICE: 612.872.1900
 www.re-systemsgroup.com

TYPICAL INVERTED ROOF DETAIL
 WITH TAPERED INSULATION

DATE :	10.26.23
SCALE :	NTS
DRAWING NO. :	GTS-350-PZ 11